



CHUGGER PUMP® Chugger Max Models



CHUGGER PUMP® is a home brew beer pump designed to transfer hot and cold liquids between brewing vessels.

FDA Compliant Materials. Components are UL Recognized.

Note: NOT self-priming.
DO NOT RUN DRY!

Technical Specifications	
Maximum Flow	17 GPM (Gallons Per Minute)
Maximum Feet of Head	27 Feet
Maximum Pressure	12 P.S.I.
Maximum Temperature	250° F
Suction	1" FPT (Female Pipe Thread)
Discharge	1/2" MPT (Male Pipe Thread)
Horsepower	1/8 HP (.125 HP)
Hertz	50 / 60 Hz
Amps (Motor Only)	1.4 Amps
Amps (Pump and Motor)	2.0 Amps
Minimum ID Inlet	3/4"

Note: Chugger Max contains sealed bearings. No oil necessary. Impeller is made of Polysulfone/Stainless; O-Ring is Silicon; Thrust Washer is Teflon.

Model	Construction	Motor	Voltage	Cord / Plug	ETL Rated
TCPSSMAX-CI	Stainless Steel	TEFC	115 / 230 Volt	55" (No Plug)	
TCPPSMAX-CI	Polysulfone	TEFC	115 / 230 Volt	55" (No Plug)	
CPSSMAX-CI-1	Stainless Steel	Air Cooled	115 Volt	55" with Plug	Yes
CPSSMAX-CI-2	Stainless Steel	Air Cooled	230 Volt	55" with Plug	Yes
CPPSMAX-CI-1	Polysulfone	Air Cooled	115 Volt	55" with Plug	Yes
CPPSMAX-CI-2	Polysulfone	Air Cooled	230 Volt	55" with Plug	Yes

Installation:

The Chugger Pump is shipped ready for installation. Directional arrows on the pump head show fluid direction through the pump. The seven screws on the pump head may be removed and the pump head can be rotated as required to fit your piping system.

- Follow all local electrical and safety codes and always disconnect power before performing work on or near the pump motor.

Limited Warranty:

CHUGGER PUMP® is warranted only against defects in workmanship for a period of 6 months from the date of purchase. **DO NOT RUN THE PUMP DRY,** it will not be covered under warranty

A Squealing sound is a warning you are running the pump with no fluid! Power off Immediately!

Do not plumb inlet tubing or connections with less than 3/4" full port fittings. This will result in cavitation and problems with your pump!

Notice

1. This Pump Has Been Evaluated for Use With Water Only.
2. Risk of electric shock - This pump is supplied with a grounding conductor and grounding-type attachment plug. To reduce the risk of electric shock, be certain that it is connected to only to a properly grounded, grounding-type receptacle.

***Warning**

1. Acceptable For Indoor Use Only.
2. For use with maximum 212°F water.
3. Non-submersible Pump.
4. To reduce risk of electric shock, pull plug before servicing this pump.
5. To reduce risk of electric shock, see instruction manual for proper installation.
6. To reduce risk of electric shock, connect only to a properly grounded, grounding-type receptacle.
7. This Pump Has Not Been Investigated For Use In Swimming Pool or Marine Areas.

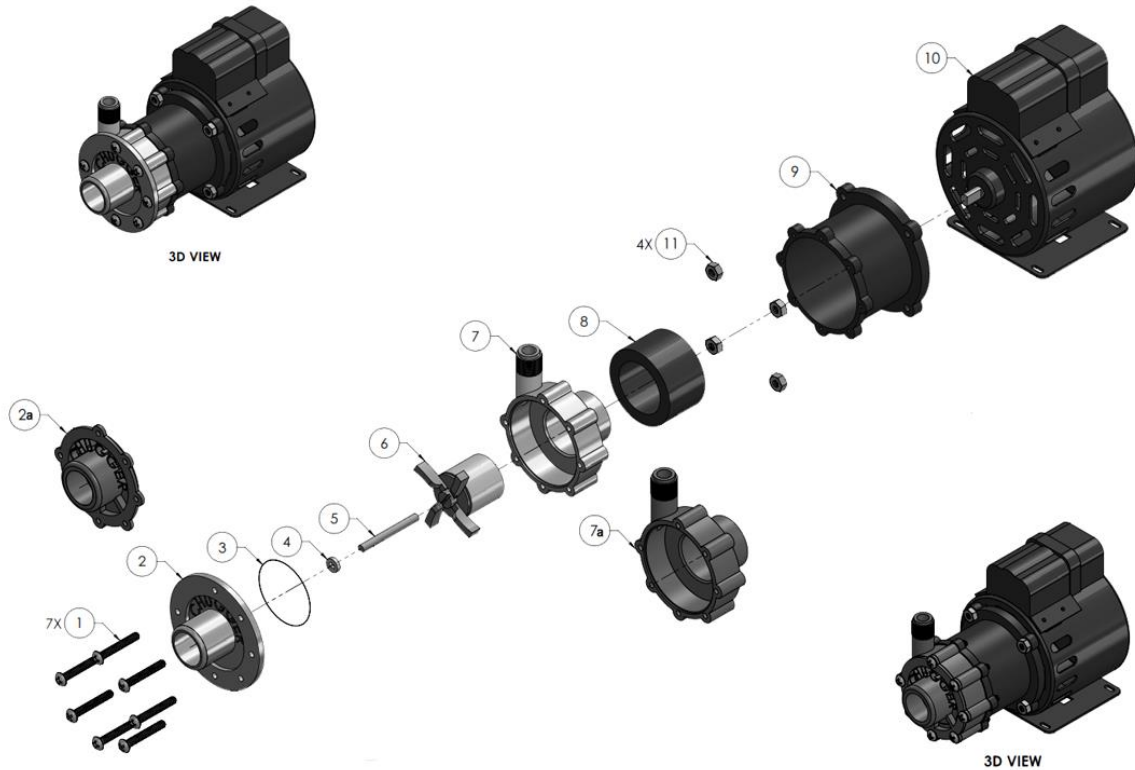
***Attention**

1. Acceptable pour un usage intérieur.
2. Pour utiliser avec 212 °F eau maximale.
3. Non-submersible Pompe.
4. To réduire le risque de choc électrique, tirez prise avant l'entretien de cette pompe.
5. To réduire le risque de choc électrique, voir le manuel d'instruction pour une installation correcte.
6. To réduire le risqué de choc électrique, connectez uniquement à une mise à la terre, à la terre receptacle.
7. Cette pompe n'a pas été étudiée pour une utilisation dans la piscine ou des aires marines.



Exploded View Parts Breakdown

CPSSMAX-CI (Stainless Steel) / CPPSMAX-CI (Polysulfone) Models



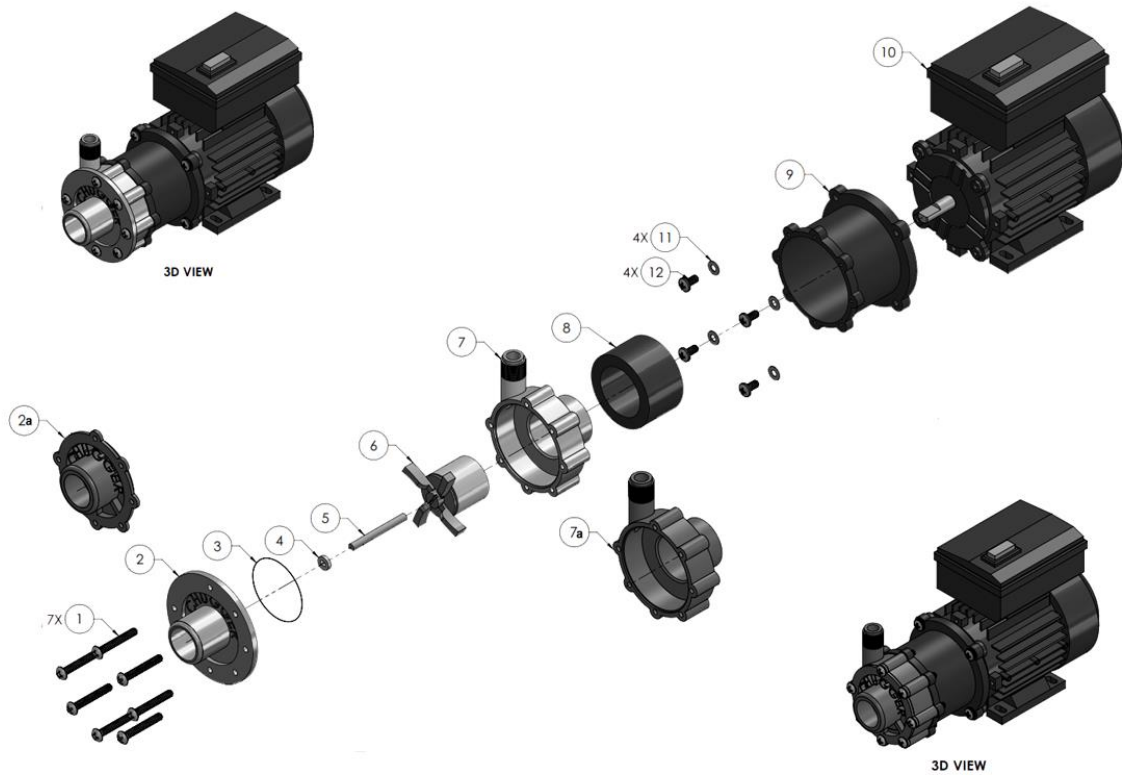
ITEM NO.	DESCRIPTION	PART NUMBER	QTY
1	Housing Screws, SS, 4 x 45 mm	CPMAX-21	Set of 7
2	Front Housing Cover (CPPSMAX-CI Models) Polysulfone	<i>*Not Sold Individually</i>	1
2a	(CPSSMAX-CI Models) 316 Stainless Steel		
3	O-Ring, Clear Silicone, 77 x 1.8 cm	CPMAX-23	1
4	Thrust Washer, Ceramic	CPMAX-24-2	1
5	Shaft, 316 Stainless Steel, 63.7 x 6.33 mm	CPMAX-24-1	1
6	Impeller, Ryton / Teflon, 316 SS, 40 x 48 mm	CPMAX-25	1
7	Rear Housing (CPPSMAX-CI Models) Polysulfone	<i>*Not Sold Individually</i>	1
7a	(CPSSMAX-CI Models) 316 Stainless Steel		
8	Drive Magnet, Reinforced PA66	CPMAX-27	1
9	Motor Bracket, Reinforced PA66	CPMAX-28	1
10	ODP Motor	Not Sold Individually	1
11	Nut	N/A	4

****Pump Replacement Heads***

SSMAX-PH-CI – Stainless Steel Replacement Head, Includes items 2, 3, 4, 5, 6 & 7

PSMAX-PH-CI – Polysulfone Replacement Head, Includes items 2a, 3, 4, 5, 6 & 7a

TCPPSMAX-CI (Polysulfone) / TCPSSMAX-CI (Stainless Steel) Models



ITEM NO.	DESCRIPTION	PART NUMBER	QTY
1	Housing Screws, SS, 4 x 45 mm	CPMAX-21	Set of 7
2	Front Housing Cover (CPPSMAX-CI Models) Polysulfone	<i>*Not Sold Individually</i>	1
2a	(CPSSMAX-CI Models) 316 Stainless Steel		
3	O-Ring, Clear Silicone, 77 x 1.8 cm	CPMAX-23	1
4	Thrust Washer, Ceramic	CPMAX-24-2	1
5	Shaft, 316 Stainless Steel, 63.7 x 6.33 mm	CPMAX-24-1	1
6	Impeller, Ryton / Teflon, 316 SS, 40 x 48 mm	CPMAX-25	1
7	Rear Housing (TCPPSMAX-CI) Polysulfone	<i>*Not Sold Individually</i>	1
7a	(TCPSSMAX-CI) 316 Stainless Steel		
8	Drive Magnet, Reinforced PA66	CPMAX-27	1
9	Motor Bracket, Reinforced PA66	CPMAX-28	1
10	TEFC Motor	Not Sold Individually	1
11	Washer	N/A	4
12	Rear Housing Bolt	N/A	4

****Pump Replacement Heads***

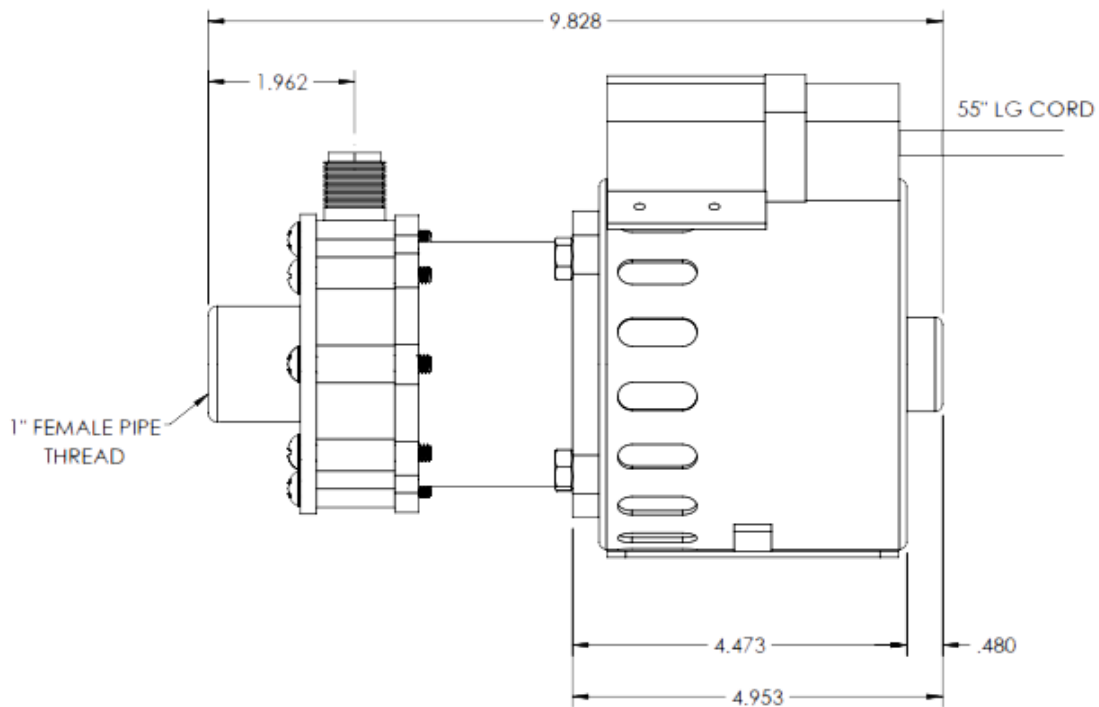
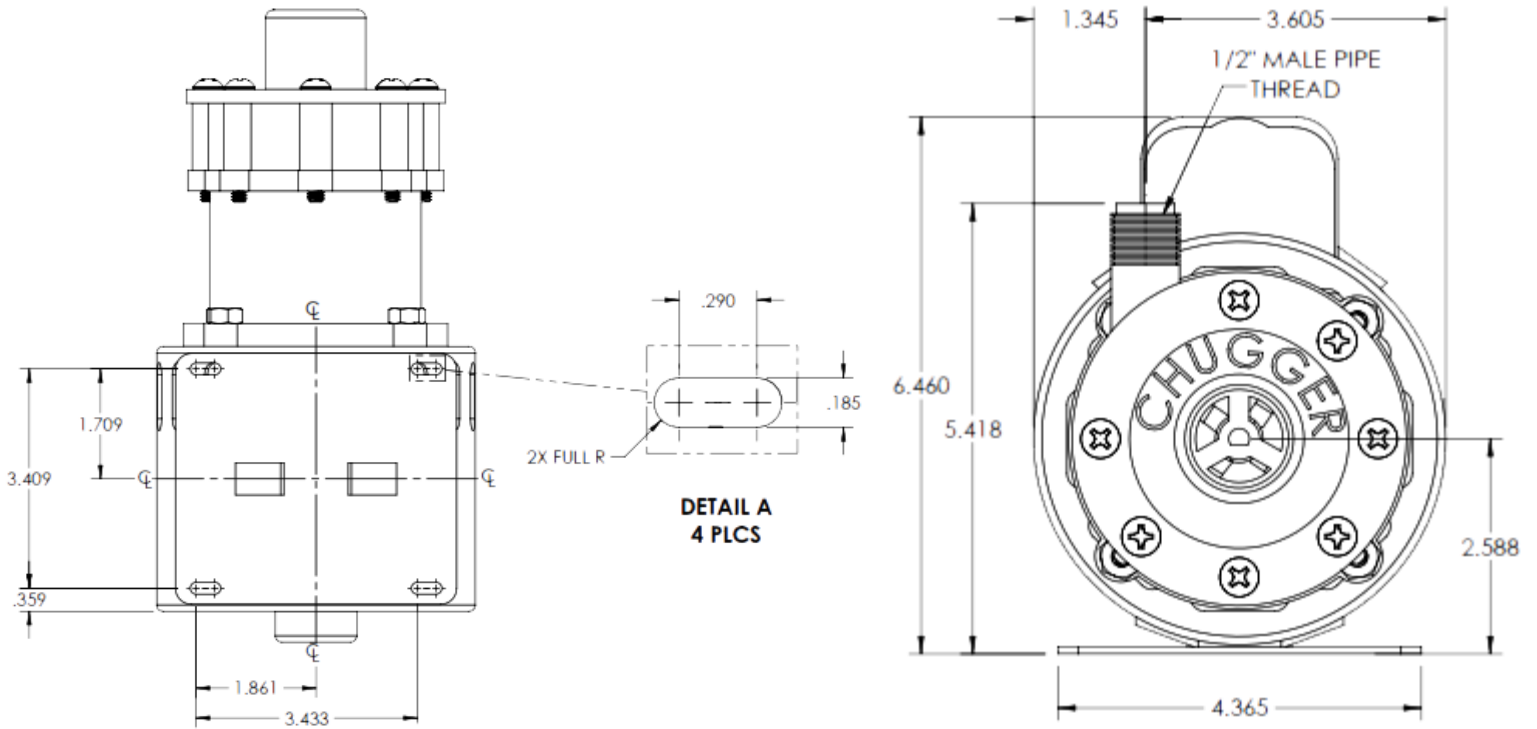
SSMAX-PH-CI – Stainless Steel Replacement Head, Includes items 2, 3, 4, 5, 6 & 7

PSMAX-PH-CI – Polysulfone Replacement Head, Includes items 2a, 3, 4, 5, 6 & 7a

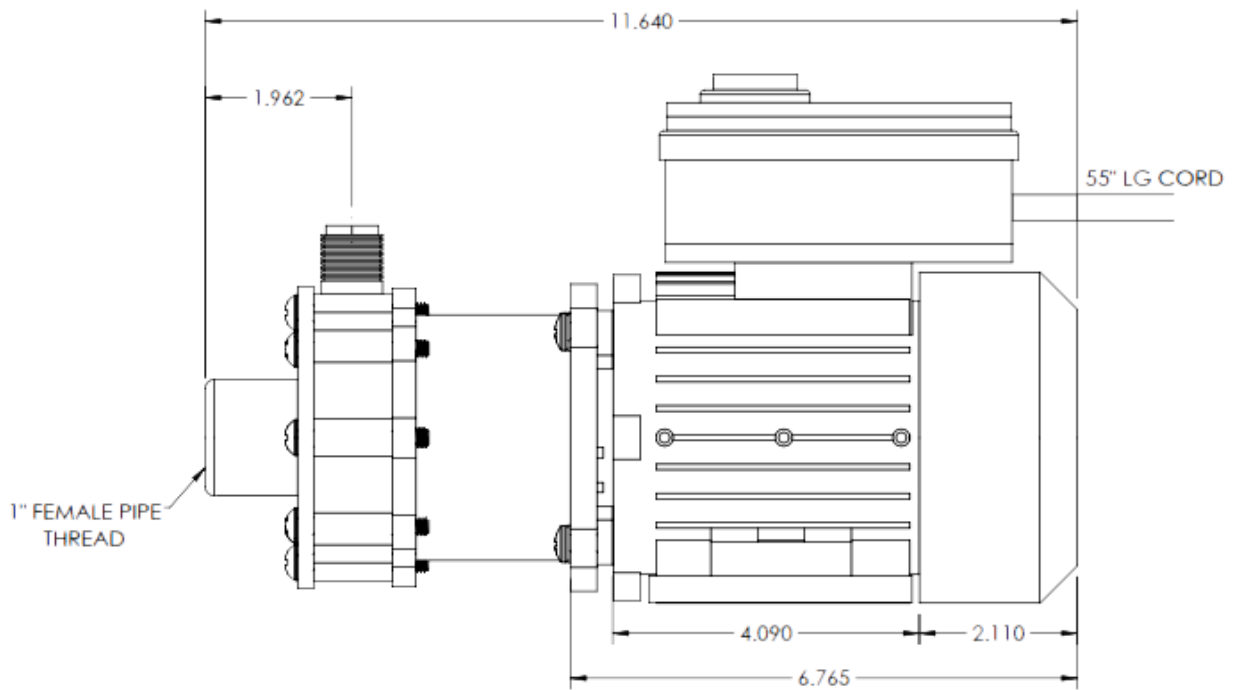
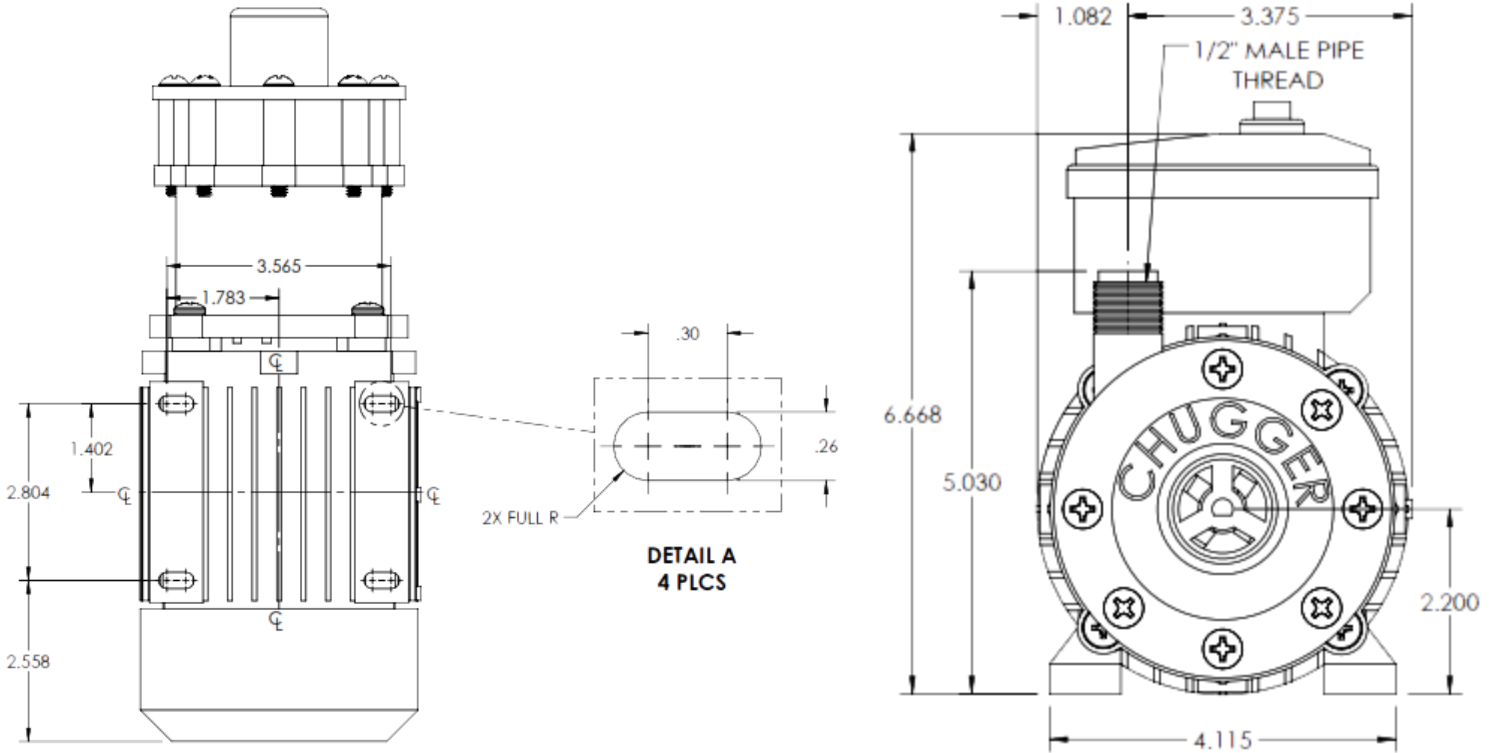
Dimensional Drawings

CPSSMAX-CI & CPPSMAX-CI (Air Cooled ODP Motor)

Stainless Steel / Polysulfone - 115V & 230V Models

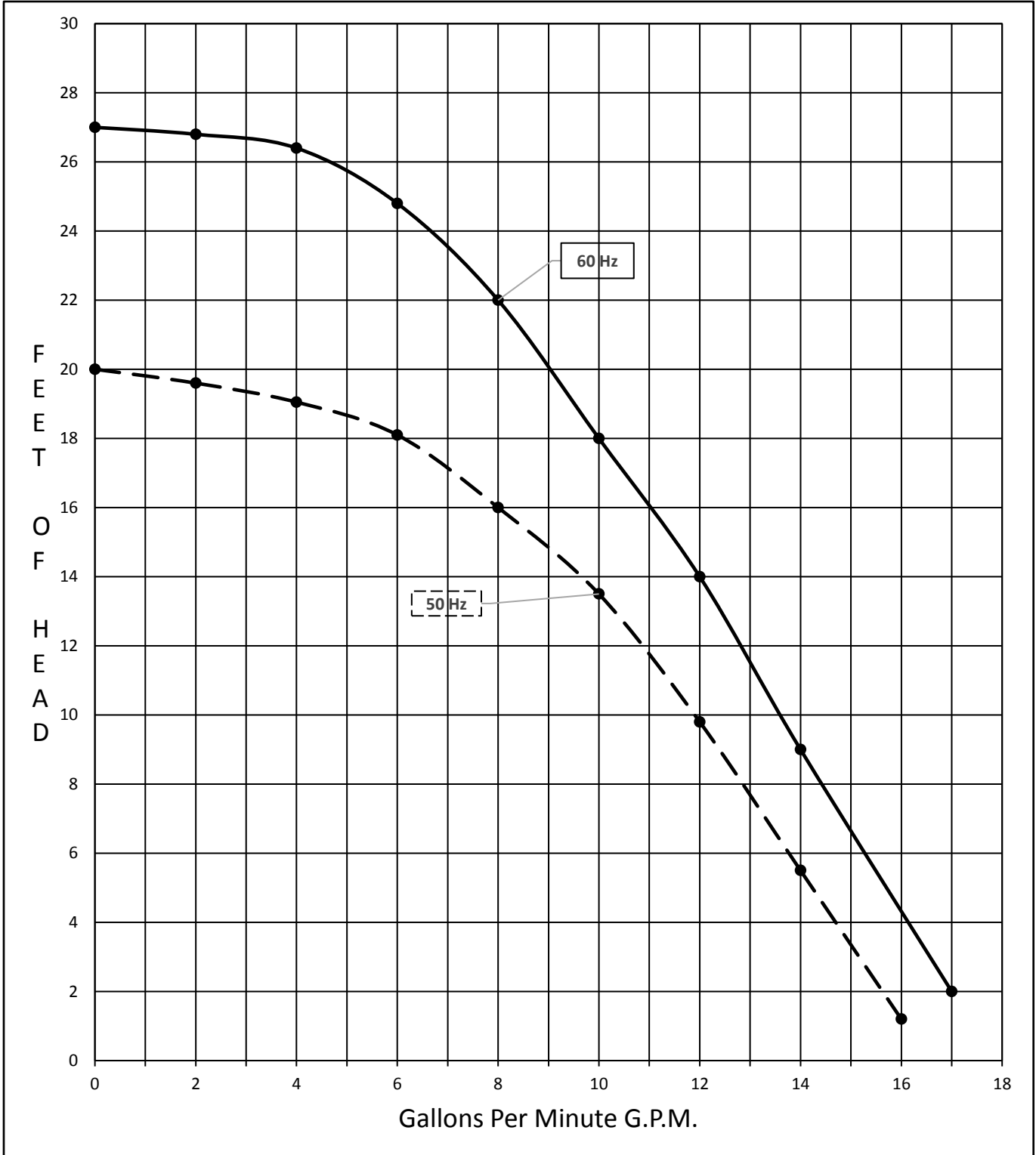


TCPSSMAX-CI & TCPPSMAX-CI (TEFC Motor) Stainless Steel / Polysulfone - 115/230V Models



Pump Curves

TCPSSMAX-CI / TCPSSMAX-C1 / CPSSMAX / CPPSSMAX Models



Chugger Max Repair Kit & Pump Replacement Heads

Repair Kit (All Chugger Max Models)

CPMAX-RPK

Includes: (1) Ryton / Teflon Impeller (CPMAX-25), (1) Clear Silicone O-Ring (CPMAX-23), (1) Ceramic Thrust Washer (CPMAX-24-2) and 1 Stainless Steel Shaft (CPMAX-24-1).



Replacement Heads – 1" FPT Center Inlet x 1/2" MPT Outlet

PSMAX-PH-CI

Polysulfone Replacement Head (Pump End Only).

Includes: Polysulfone Front & Rear Housing Cover, (1) Ryton / Teflon Impeller (CPMAX-25), (1) Clear Silicone O-Ring (CPMAX-23), (1) Ceramic Thrust Washer (CPMAX-24-2) and 1 Stainless Steel Shaft (CPMAX-24-1).



SSMAX-PH-CI

316 Stainless Steel Replacement Head (Pump End Only).

Includes: Stainless Steel Front & Rear Housing Cover, (1) Ryton / Teflon Impeller (CPMAX-25), (1) Clear Silicone O-Ring (CPMAX-23), (1) Ceramic Thrust Washer (CPMAX-24-2) and 1 Stainless Steel Shaft (CPMAX-24-1).



<http://www.chuggerpumps.com>